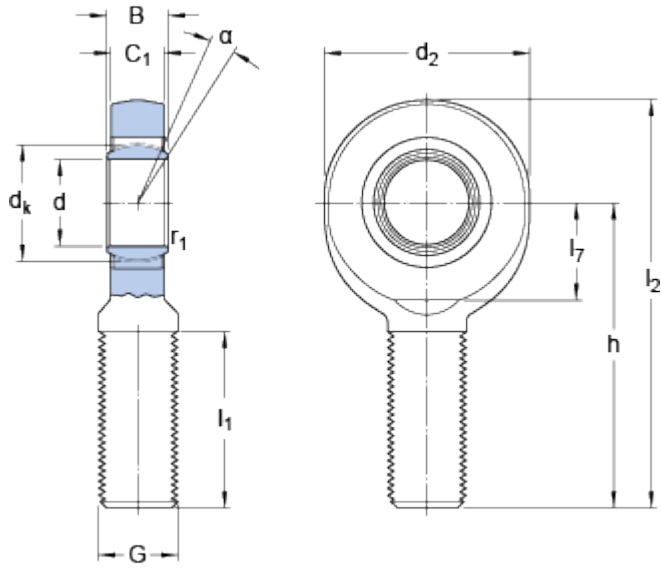


# SA 30 C

## Dimensions



d		30	mm
d <sub>2</sub>	max.	75	mm
B		22	mm
G		M 30x2	
C <sub>1</sub>	max.	20	mm
h		110	mm
α		6	°
d <sub>k</sub>		40.7	mm
l <sub>1</sub>	min.	60	mm
l <sub>2</sub>	max.	149	mm
l <sub>7</sub>	min.	34	mm
r <sub>1</sub>	min.	0.6	mm

## Calculation data

Basic dynamic load rating	C	65.5	kN
Basic static load rating	C <sub>0</sub>	81.5	kN
Specific dynamic load factor	K	100	N/mm <sup>2</sup>
Material constant	K <sub>M</sub>	1400	

## Mass

Mass rod end	0.9	kg
--------------	-----	----